

**NOTES:**

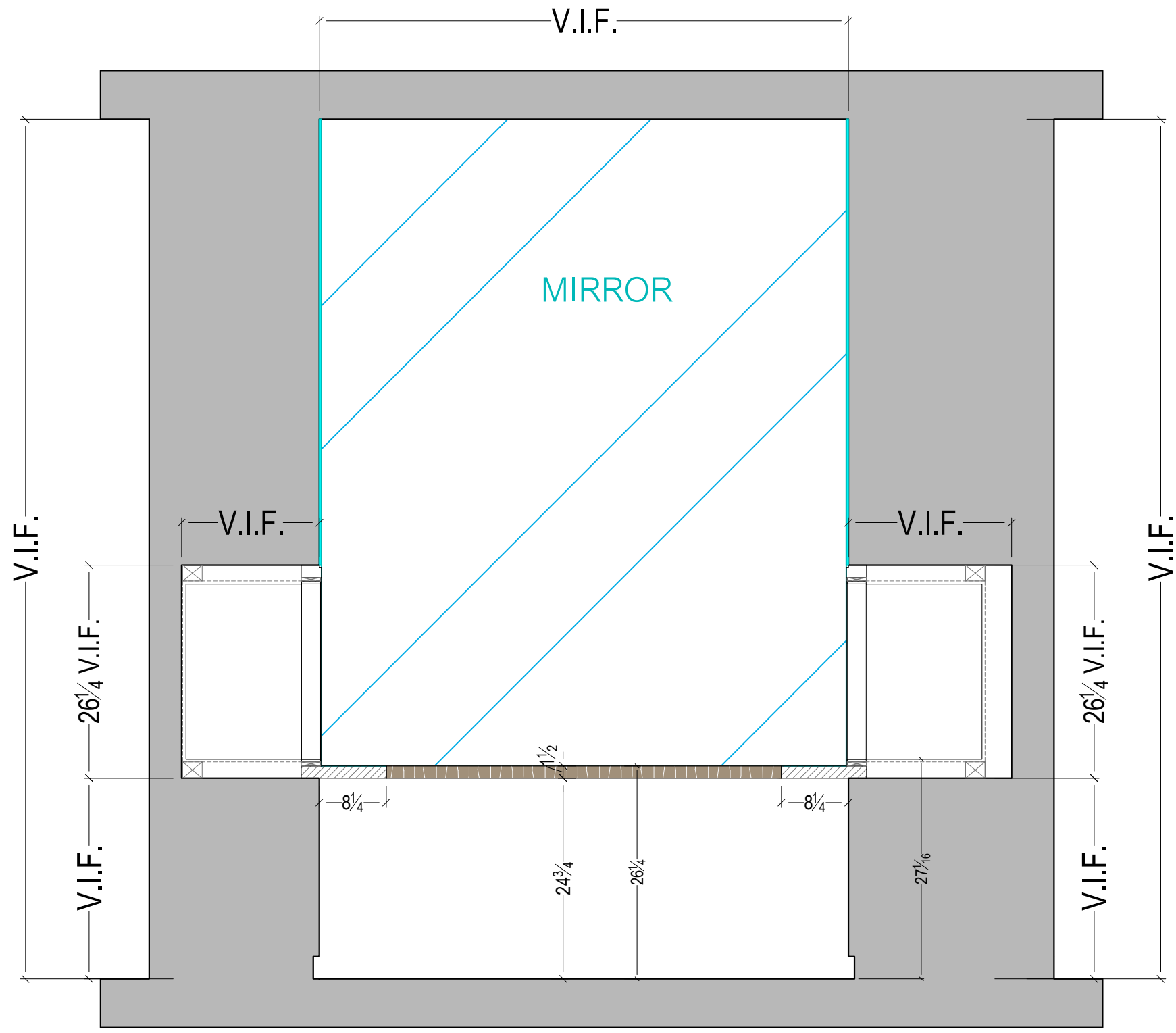
1. NEED SITE DIMENSIONS
2. SUBMIT SAMPLES FOR CLIENT APPROVAL


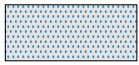


PLAIN SAWN WALNUT  
VENEER / SOLID WOOD

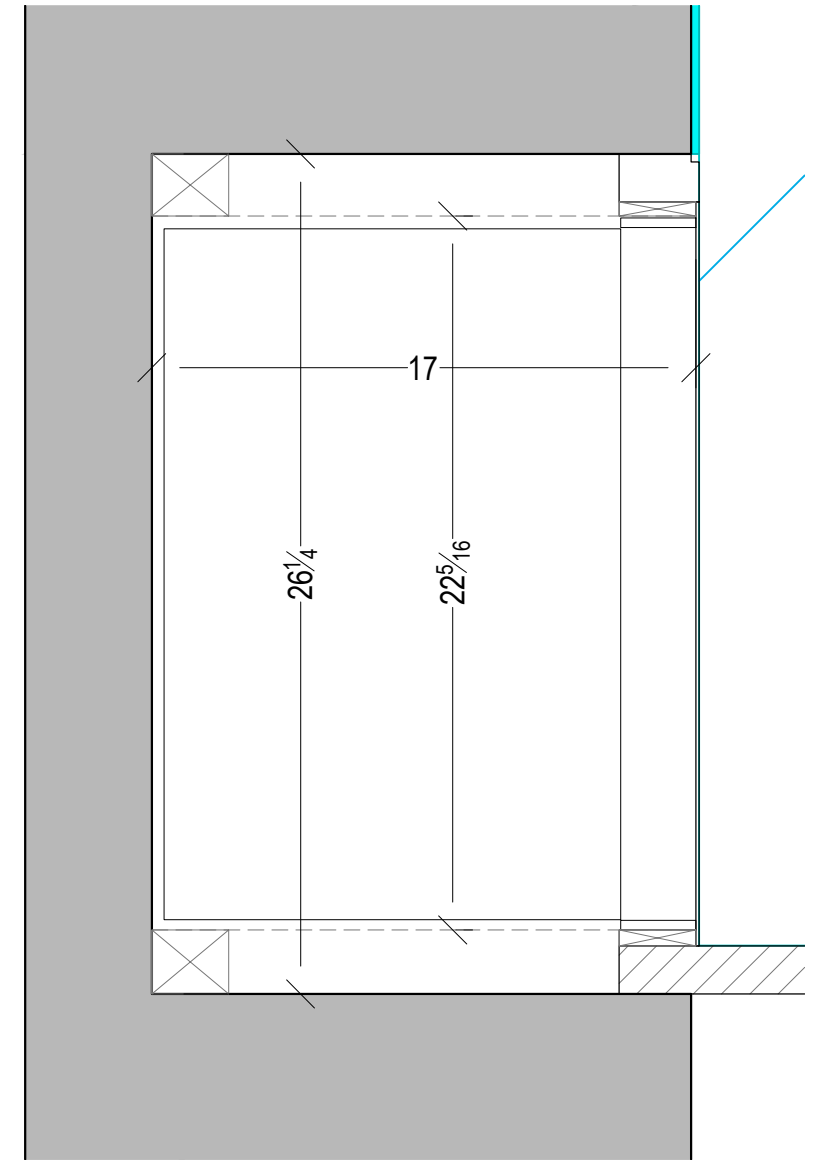
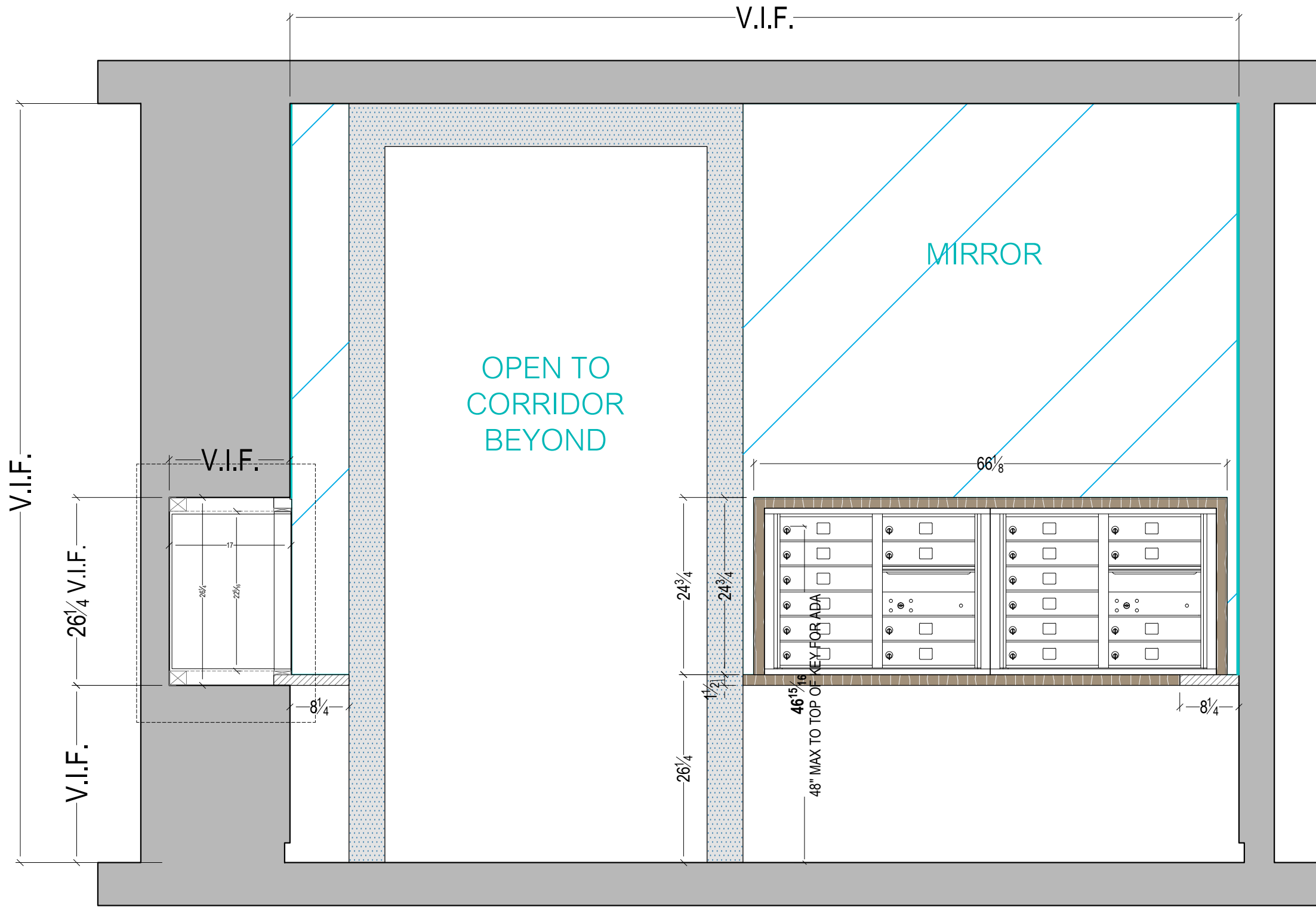


WILSONART  
4796-60 MATTE


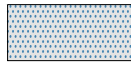


-  PLAIN SAWN WALNUT VENEER / SOLID WOOD
-  WILSONART 4796-60 MATTE

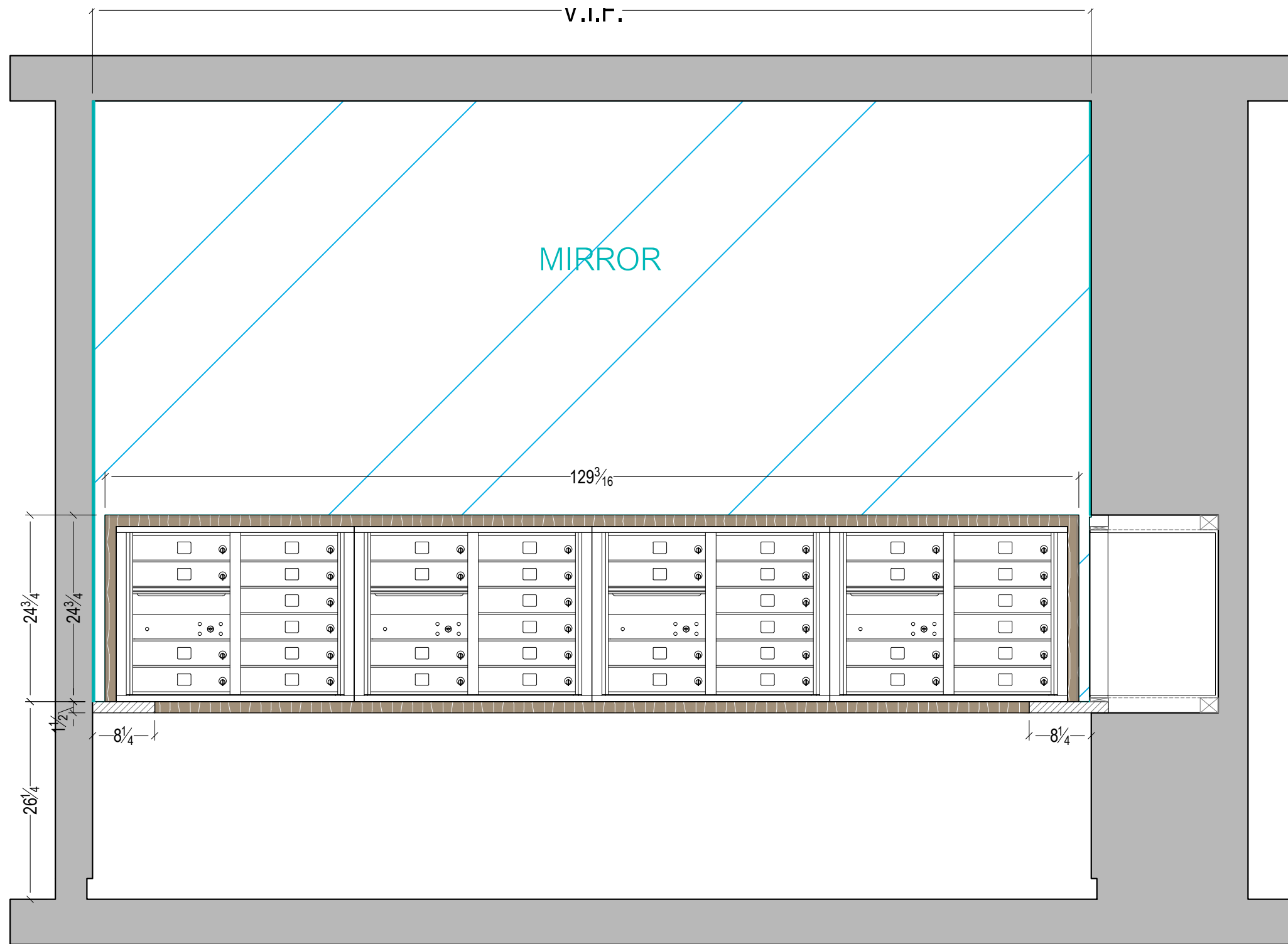
ELEVATION B



DETAIL  
SCALE: 2" = 1'-0"

-  PLAIN SAWN WALNUT VENEER / SOLID WOOD
-  WILSONART 4796-60 MATTE

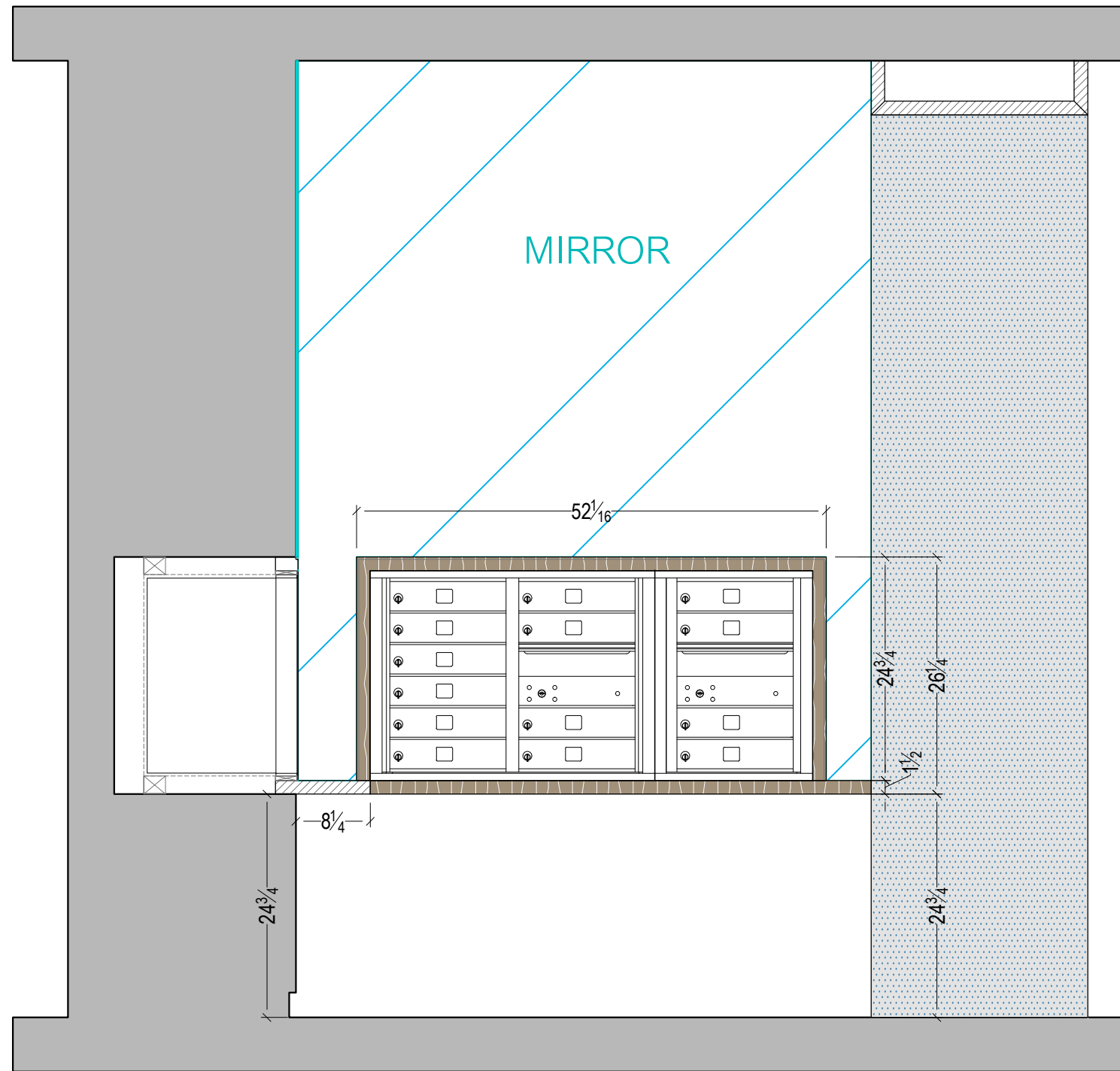
ELEVATION A




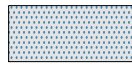
ELEVATION C

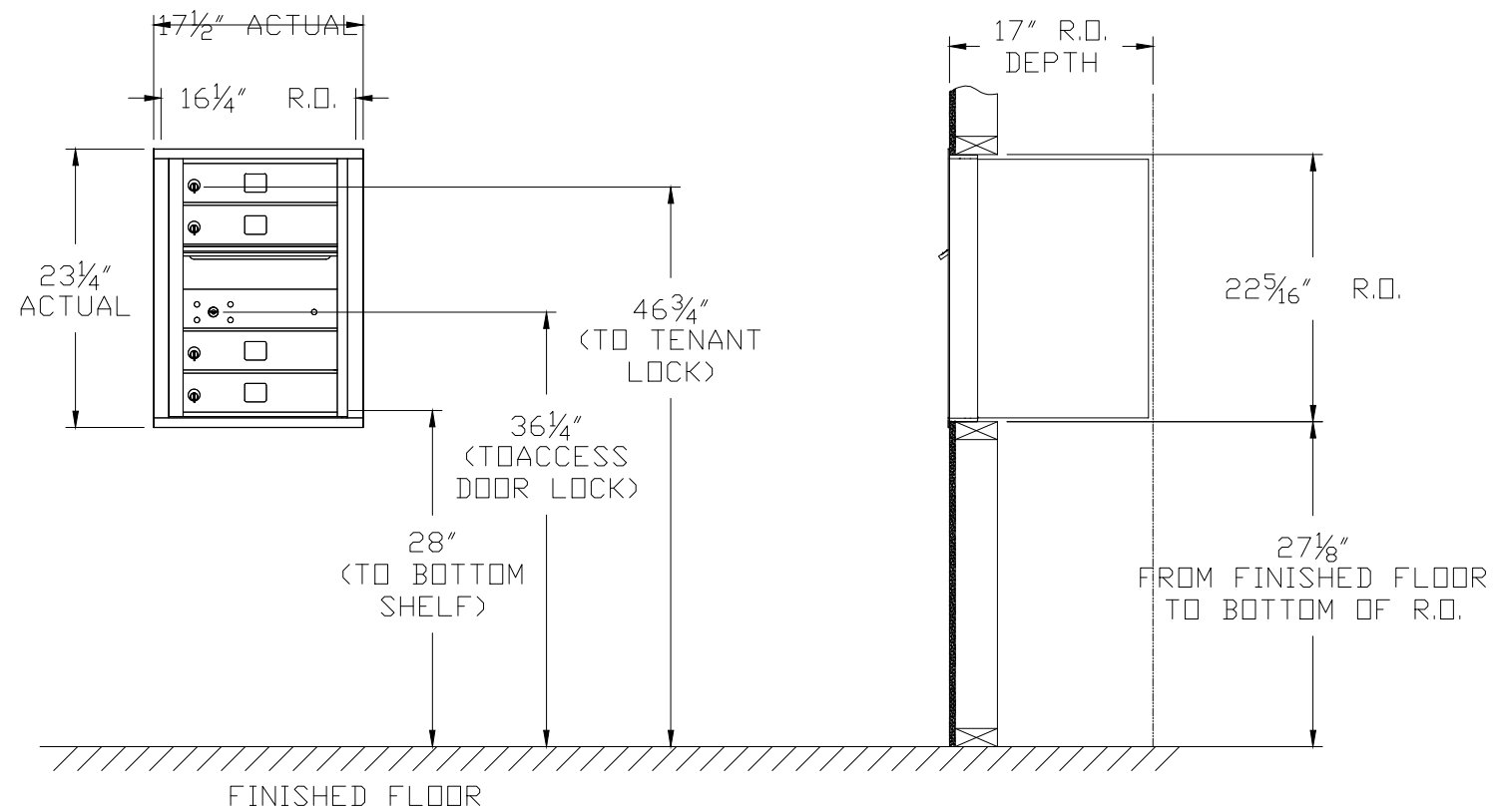
 PLAIN SAWN WALNUT VENEER / SOLID WOOD

 WILSONART 4796-60 MATTE



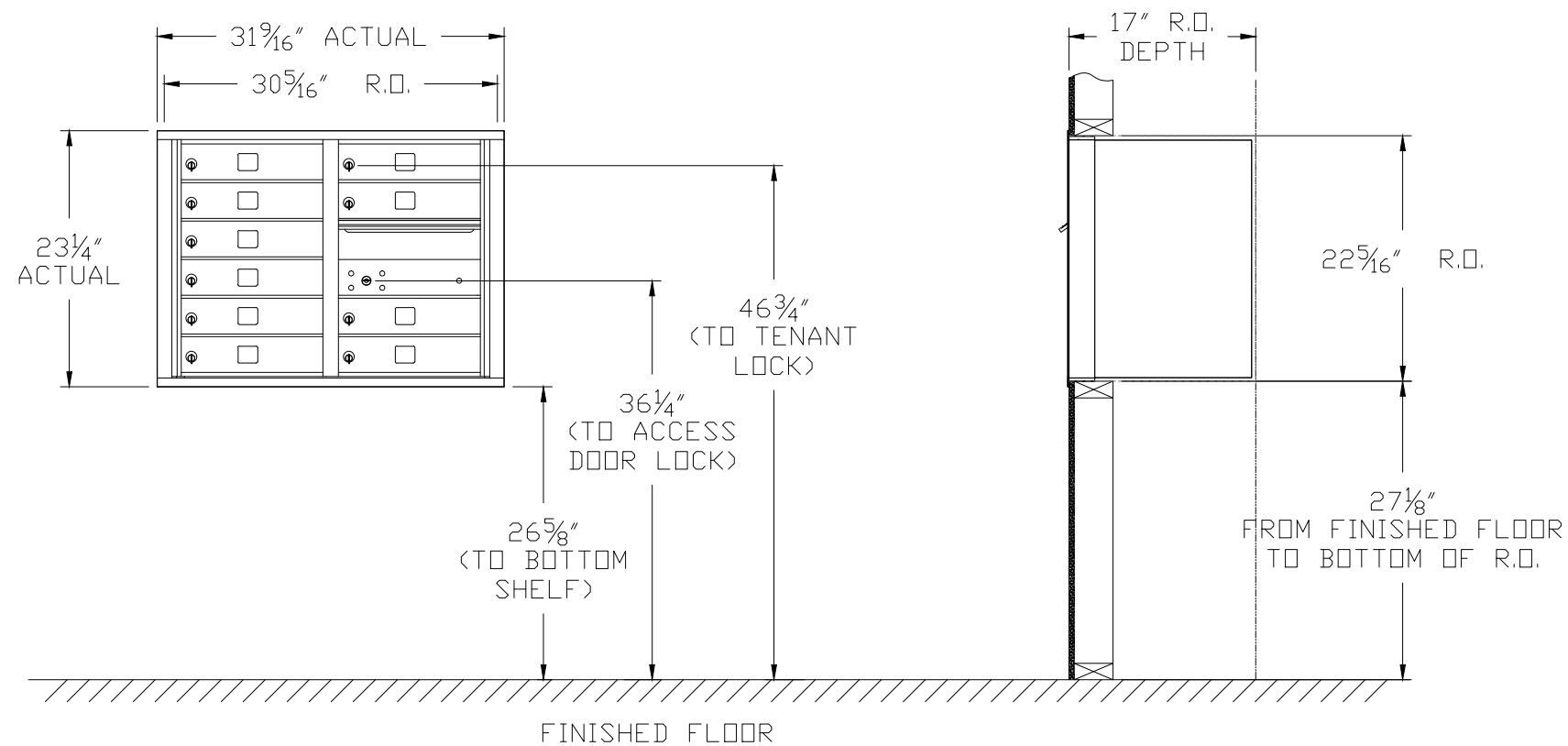
ELEVATION D

- 
 PLAIN SAWN WALNUT VENEER / SOLID WOOD
  
- 
 WILSONART 4796-60 MATTE



[www.florencemailboxes.com](http://www.florencemailboxes.com)

versatile™ 4C06S-04



versatile™ 4C06D-10